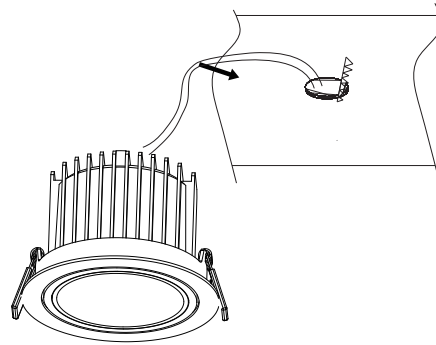
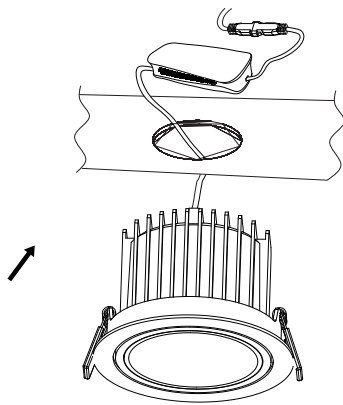


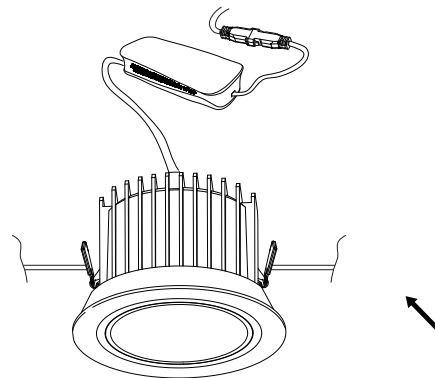
1. Turn off the general switch



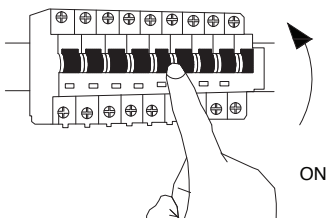
2. Cut out the hole for the exactly size



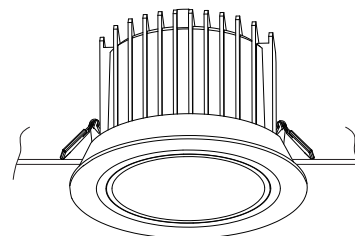
3. Turn off all the switches, connect the driver to the power



5. Fix the luminaire to the ceiling



6. Turn on the general switch



7. Turn on the light