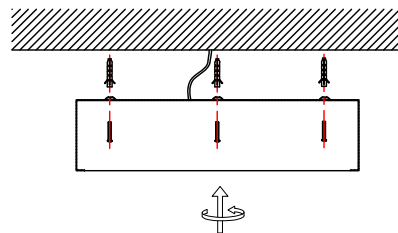
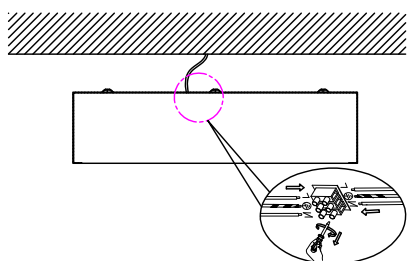


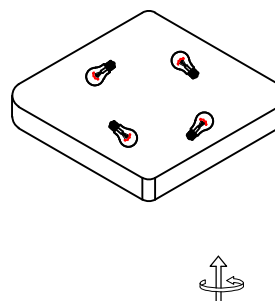
1. Turn off the general Switch



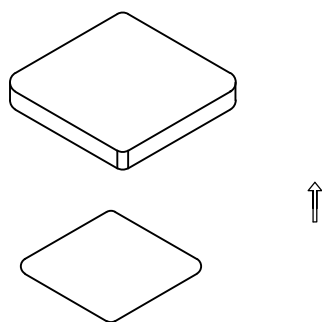
2. Align, mark and drill holes to apply the screws



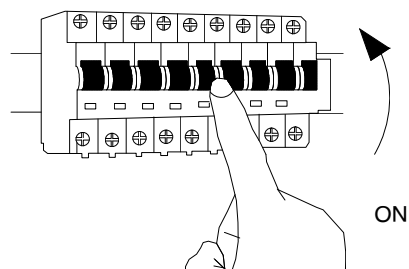
3. Connect the wires



4. Apply the bulbs by tidying them up



5. Insert the cap



6. Turn on the general Switch

