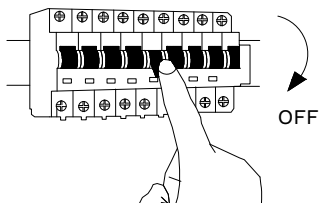


# NOVA LUCE

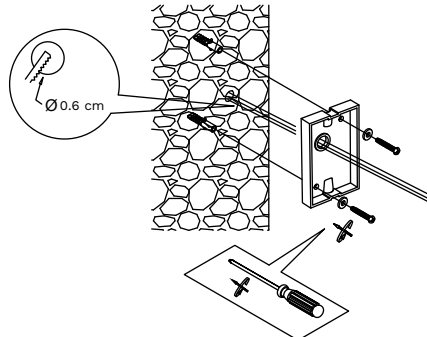
773221, 773222

1



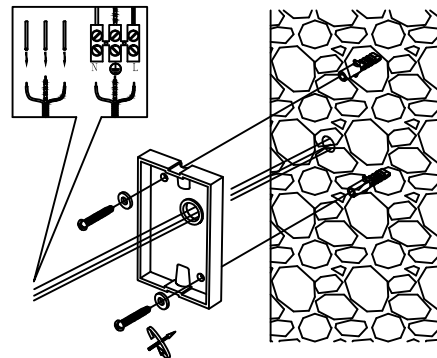
Turn off the general switch

2



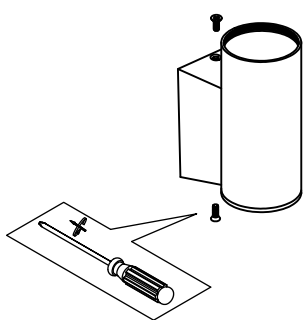
Make a CutOut  
Mark, drill holes, apply plastic anchors  
& tie up screws

3



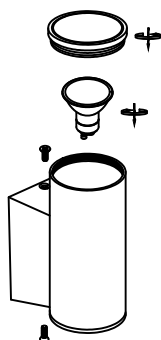
Connect wires

4



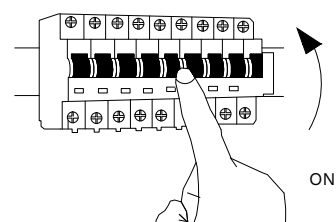
Fix it into place  
by tying up side screws

5



Apply the bulb & the cap by rotating

6



Turn on the general switch

7

