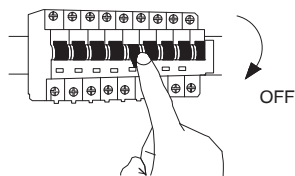
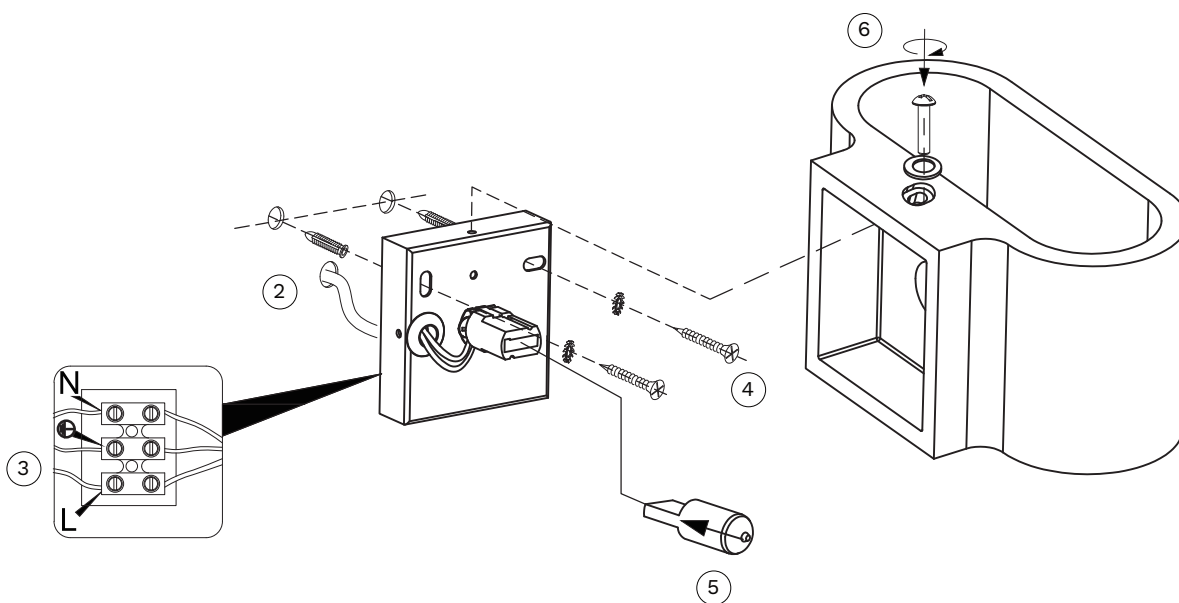


1

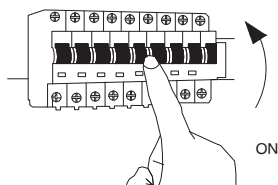


Turn off the general switch



2. Align, mark & drill holes & apply plastic anchors
3. Connect wires
4. Place the nuts & tie up screws
5. Connect the driver
6. Insert nut & screw to make it stable

7



Turn on the general Switch

