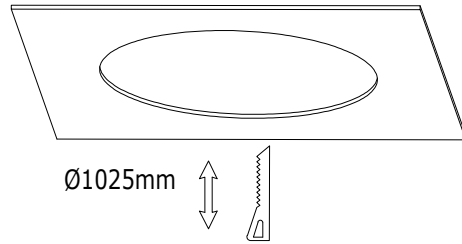
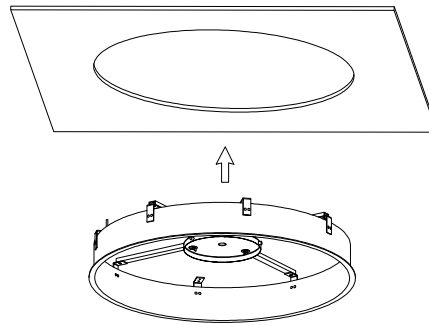


# NOVA LUCE

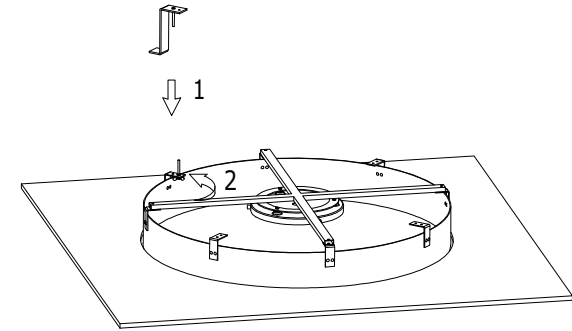
9058980/9058990



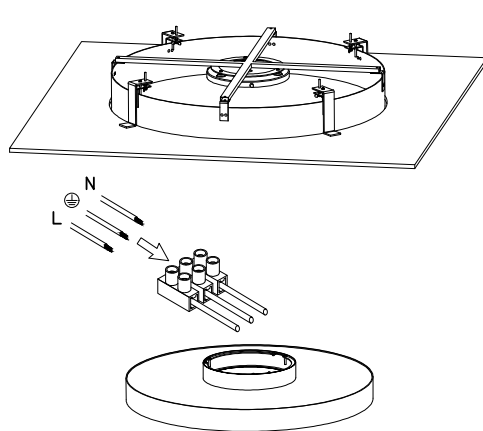
①



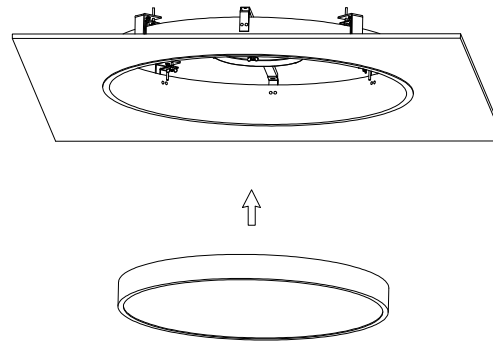
②



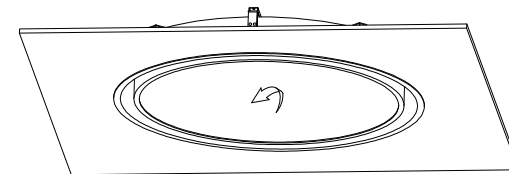
③



④



⑤



⑥