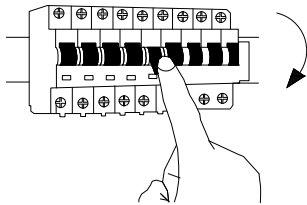


NOVA LUCE

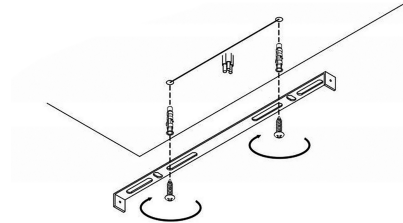
9011534, 9011535
9011536, 9011537

1

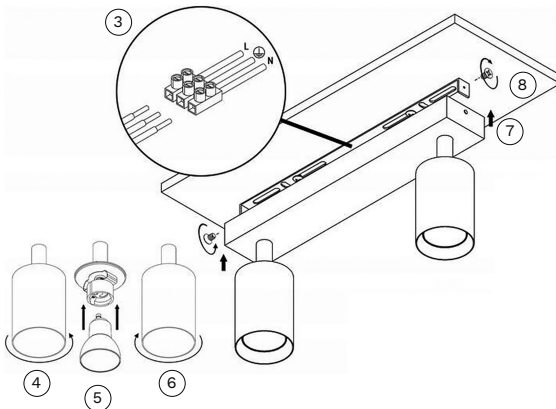


Turn off the general switch

2

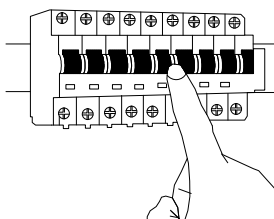


Mark and drill holes
Apply plastic anchors & tie up screws



3. Connect wires
4. Untie the cap
5. Insert the bulb by rotate
6. Tie up the cap by rotate
7. Place the luminaire into place
8. Tie up side screws to make it stable

9



Turn on the general switch

10

