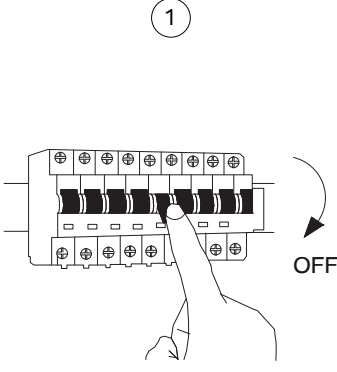
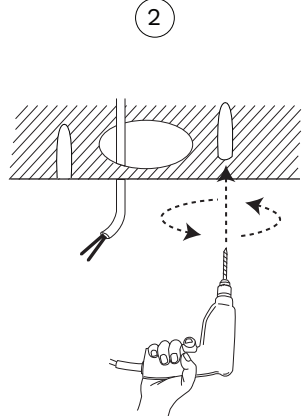
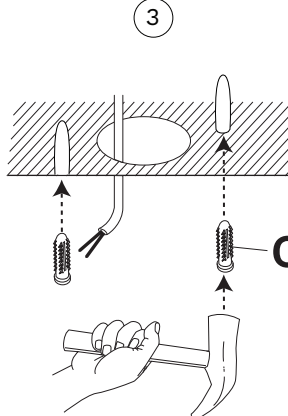
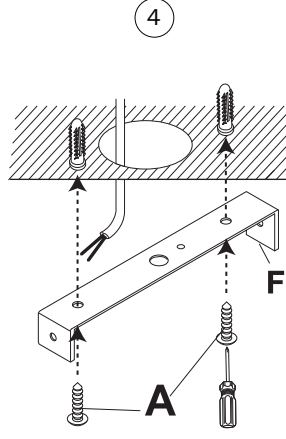
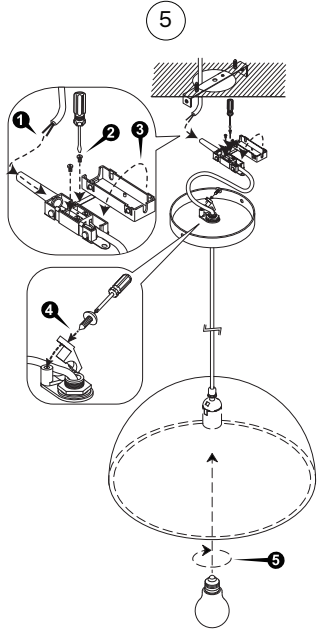
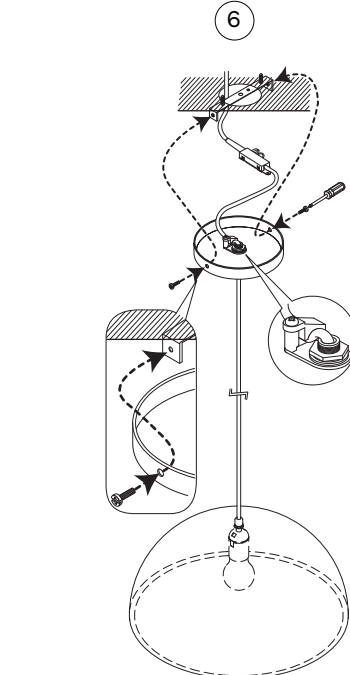
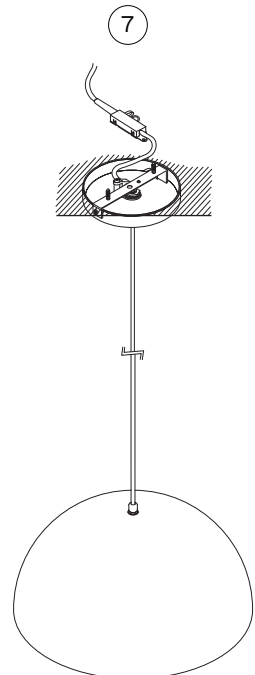
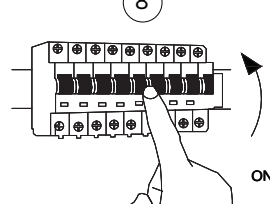
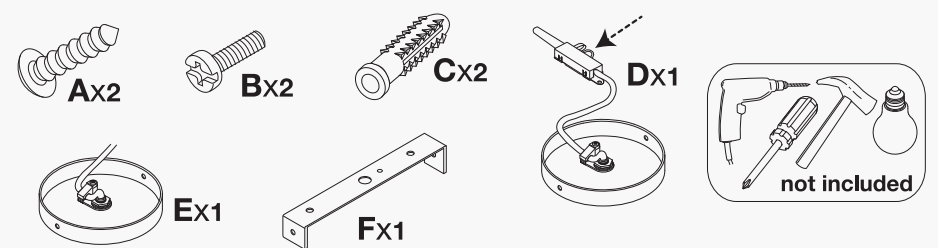


NOVA LUCE

9001072, 9001073

<p style="text-align: center;">①</p>  <p style="text-align: center;">Turn off the general switch</p>	<p style="text-align: center;">②</p>  <p style="text-align: center;">Make room to place the product Pull down wiring Apply plastic anchors (C) & connect wires</p>	<p style="text-align: center;">③</p>  <p style="text-align: center;">Use screws (C) to guide the hole</p>	<p style="text-align: center;">④</p>  <p style="text-align: center;">Use screw (A) to lock tight the mounting plate (F) in the center & tie up screws (A) to make it stable</p>
---	---	---	--

<p style="text-align: center;">⑤</p>  <p>(1) (2) Open the cover of junction box (D), to connect the wiring. (3) Then tie up the cover back. (4) Adjust the wiring to suitable length. (5) Insert the light bulb by rotate.</p>	<p style="text-align: center;">⑥</p>  <p style="text-align: center;">Use screws (B) to tie up the canopy (E) & mounting plate (F).</p>	<p style="text-align: center;">⑦</p>  <p style="text-align: center;">Assembly completed</p>
--	--	---

<p style="text-align: center;">⑧</p>  <p style="text-align: center;">Turn on the general switch</p>			
--	--	--	--

