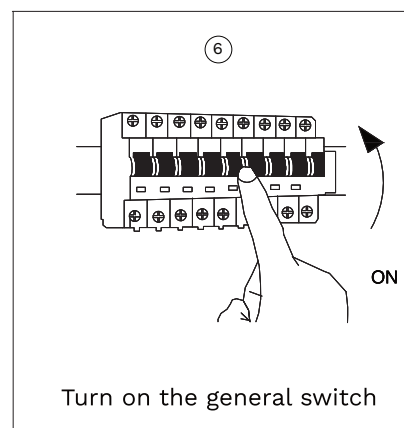


2. Expose wires
3. Connect wires
4. Fix parts into place
5. Make it stable



- A. The installation must be done by competent electricians.
- B. Product can not be modified
- C. Make sure the power has been switched off before installation
- D. The product is a Class III luminaire and shall be connected with a current driver according to the specifications in the above sheet
- E. When connecting more than one fixture, these are connecting in series, from plus to minus
- F. The connection of the luminaire should be standard with 0.5mm²-1.5mm² conductor.
- G. The specification for the driver means determines on the voltage and the maximum number of luminaires per loop
- H. Power should never be regulated on the secondary side
- I. See the installations on the image

