

NOVA LUCE

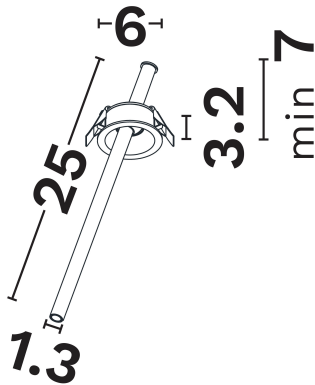
PRODUCT DATASHEET

Version: 001

PRODUCT PHOTOGRAPH



TECHNICAL DRAWING



COMPATIBLE WITH

— On/Off Driver: Included

— Triac Driver: 9621520

— Dali Driver: 9844145

GENERAL INFORMATION

Product Code	9232134
Product Category	Downlights-Semi-Recessed
Product Family	Hue
Mounting Location	Ceiling
Application Environment	Indoor

DIMENSION & WEIGHT

LxWxH (cm)	L:6 W:6 H:25
Cut out (cm)	5
Weight (Kgr)	N/A

MATERIAL & COLOR

Product Color	White
Body Material	Aluminium
Cover Material	N/A

APPLICATION & MOUNTING

Ambient Working Temp.	45 C
Type of Protection	IP20
Protection Class IK	IK03
Dimmable	Yes
Type of Dimming (Optional)	Triac/Dali
Mounting type	Recessed
Mounting Depth (cm)	Ceiling
Led Module Replaceable	No
Light Source	Led
Adjustable	Yes

NOVA LUCE S.A

Schimatari Viotias
32009, Greece

+30 22620 58 121
+30 22620 56 743

info@novaluce.com
www.novaluce.com



NOVA LUCE

PRODUCT DATASHEET

Version: 001

ELECTRICAL DATA

Power (Nominal)	3
Input voltage (Nominal)	220-240Vac
Mains Frequency	50/60Hz
Output voltage	6Vdc
Output Current	500mA
Power Factor	0.5
Efficiency	>71%
SVM	60.4
Pst	61
Class	II

PHOTOMETRICAL DATA

Luminous Flux	127
Luminous Efficacy	42.3
Color Temperature	3000
Light Color (Designation)	Warm White
CRI	>90
SDCM	<3
Beam Angle	24
UGR	<15

LIFESPAN

Lifetime	30000
----------	--------------

CERTIFICATES

Certificates	CE, UKCA
--------------	-----------------

WARRANTY

Warranty	5 Years
----------	----------------

LIGHT DISTRIBUTION

NOVA LUCE S.A

Schimatari Viotias
32009, Greece

+30 22620 58 121
+30 22620 56 743

info@novaluce.com
www.novaluce.com

