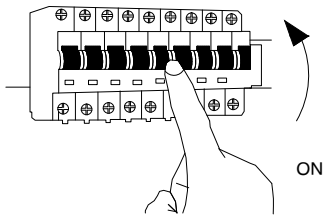


# NOVA LUCE

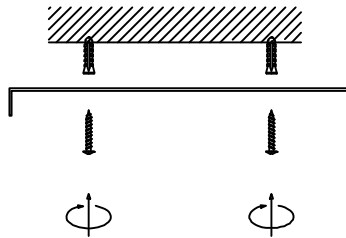
9006048

1



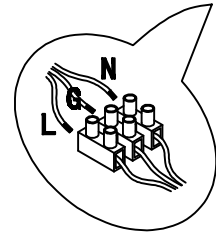
Turn off the general switch

2



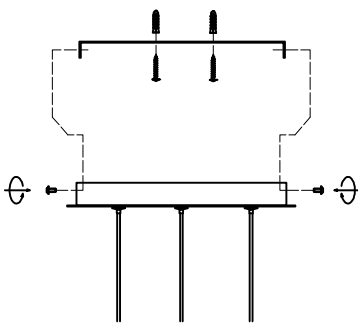
Align, mark & drill holes,  
Apply plastic anchors & tie up screws

3



Connect wires

4



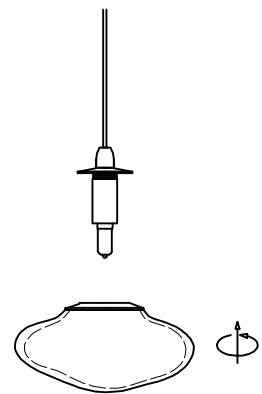
Tie up side screws  
to put it in place

5



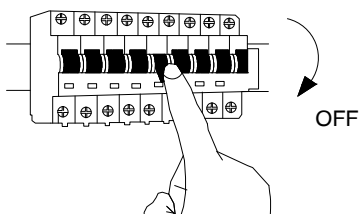
Insert the bulbs

6



Tie up the caps by rotate

7



Turn on the general Switch

8

