


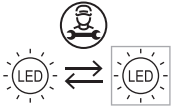


Installation Guide

IMPORTANT SAFETY INFORMATION

The following instructions are essential for proper installation, assembly, mounting and operation. Please keep these instructions for future reference! Always refer to the technical data on the product. Subject to technical alterations. Please read the following (safety) instructions carefully!

1. Be extremely cautious when connecting the luminaire to the power supply to avoid electric shock.
2. Before starting work, switch off/disconnect the mains (230 V!). Always turn off the power at the fuse box.
3. Use a working voltage tester to be absolutely sure that there is no live voltage.
4. Check the course of the power lines before drilling (230 V!). Make sure you do not damage the power lines when drilling!
5. Only install and operate in dry rooms.
6. The light source of this luminaire may only be replaced by the manufacturer or a service technician authorized by the manufacturer or a similarly qualified person.
7. Terminal block not included. Installation must be performed by a qualified person.
8. If the power cable is damaged, the product is unusable.
9. This product is a Class II luminaire, please ensure that the luminaire meets the safety requirement of double insulation protection during installation and wiring.
10. We are not liable for damage caused by improper use, handling, installation, modification or alteration, nor is it covered by the guarantee/warranty.
11. Item Code No. 9060995, 9060996, 9060997, 9060998 contains a light source of energy efficiency class E, Item Code No. 9060999, 9061000 contains a light source of energy efficiency class D.

	Only for household use, in dry areas
	Class II product
	Caution, risk of electric shock.
	Replaceable (LED only) light source by a professional

CE CE conformity marking

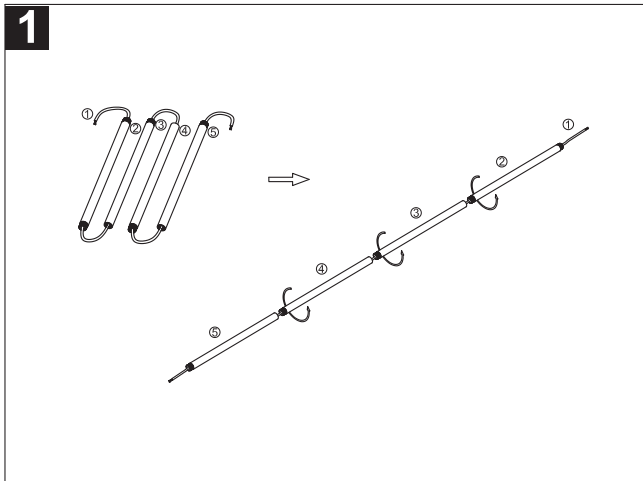
The manufacturer shall certify with an EC declaration of conformity, that the product complies with all applicable European Community Directives.



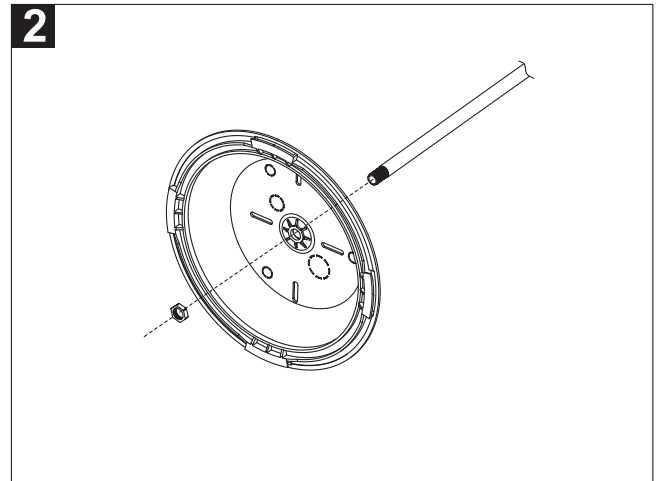
Old electrical appliances must not be disposed of together with the residual waste, but have to be disposed of separately.

The disposal at the communal collecting point via private persons is for free. The owner of old appliances is responsible to bring the appliances to these collecting points or to similar collection points.

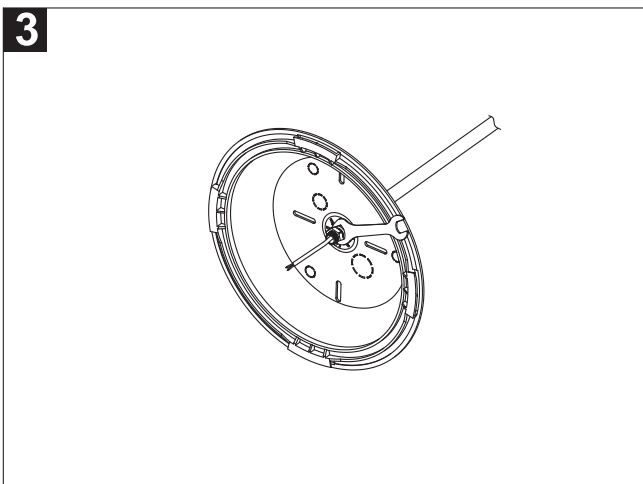
With this little personal effort, you contribute to recycle valuable raw materials and the treatment of toxic substances.



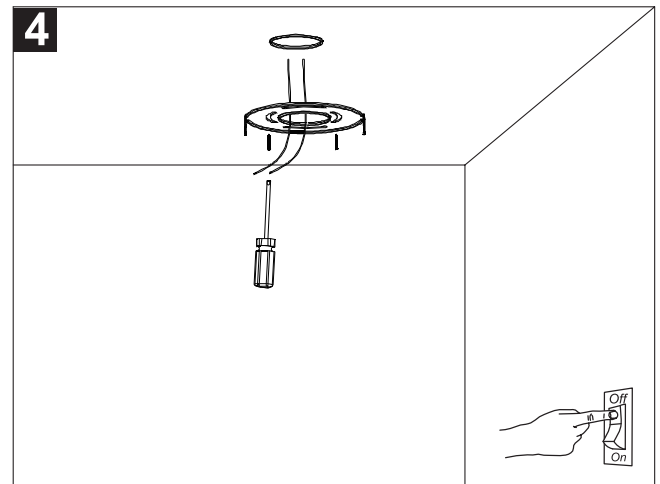
1. Turn off the switch, Screw the bracket to the ceiling, connect bracket wire with power cord. And fix the disc holder with screws.



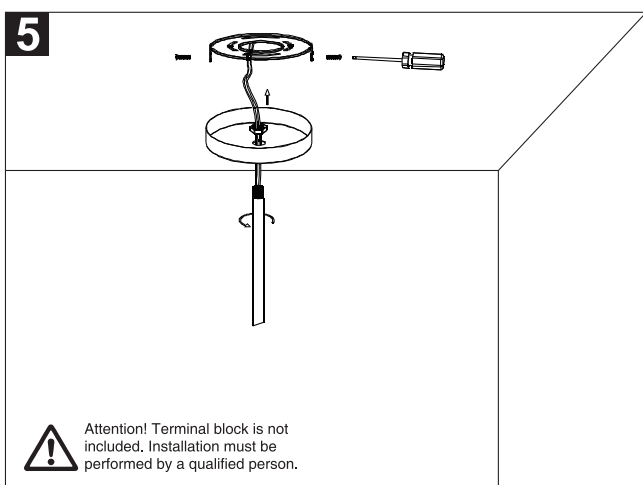
2. Pass the assembled rod through the round plastic bracket.



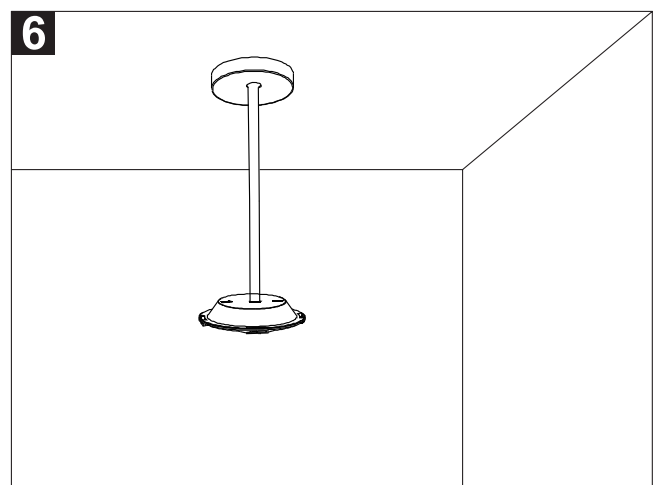
3. Tighten the nut with a wrench



4. Turn off the switch, Screw the bracket to the ceiling, connect bracket wire with power cord. And fix the disc holder with screws.



5. Connect the lamp body wires with power cord.



6. Push the lamp towards the hanging plate and rotate the plate to make the mounting plate and the lamp body fixed tightly.