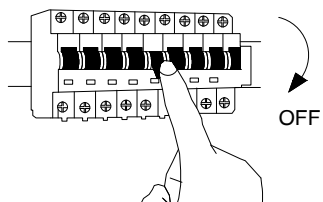


NOVA LUCE

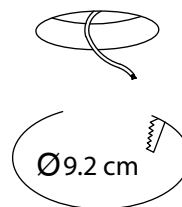
9232130/ 9232131

1



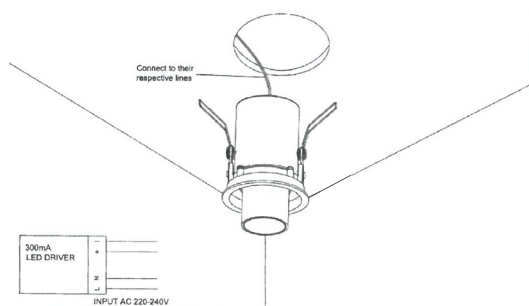
Turn off the general switch

2



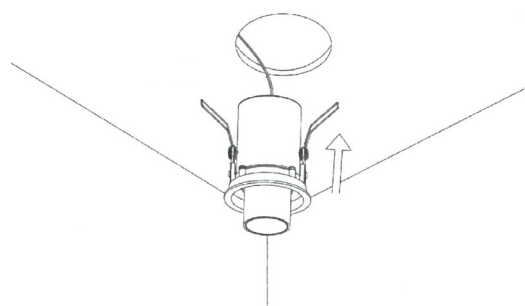
Create a cut out on the wall

3



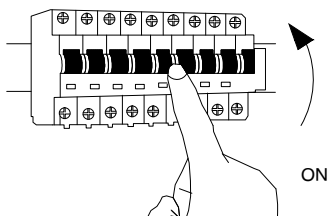
Connect the wires of the driver

4



Insert the lamp on the wall

5



Turn on the general switch

6

