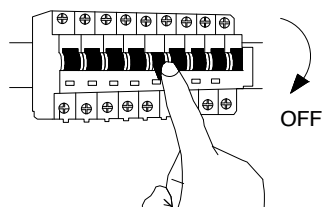


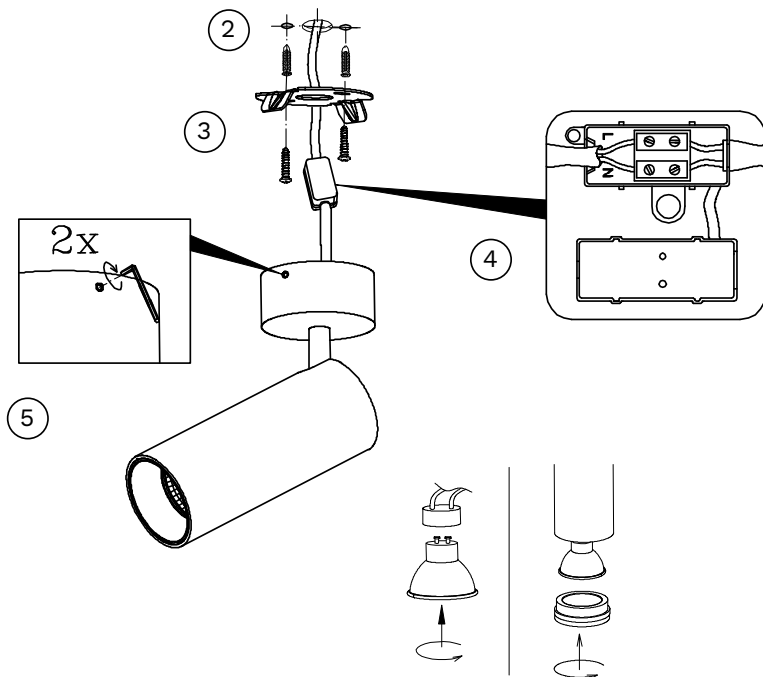
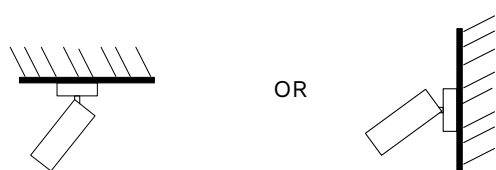
NOVA LUCE

821601

1

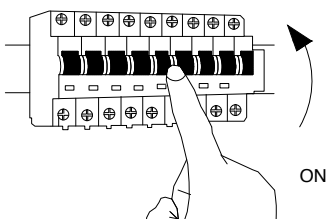


Turn off the general switch



- 2 Drill holes apply plastic anchors
- 3 Apply screws
- 4 Connect wires
- 5 Apply the bulb & the side screws

6



Turn on the general switch

