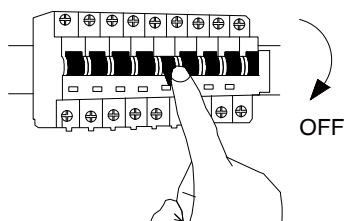


NOVA LUCE

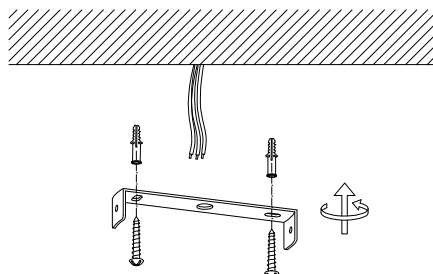
9620140

1



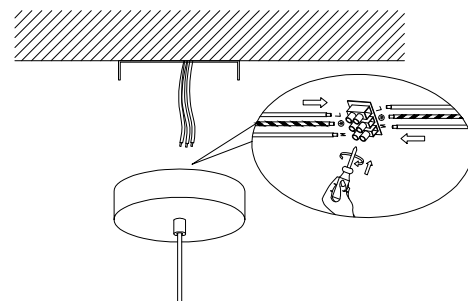
Turn off the general switch

2



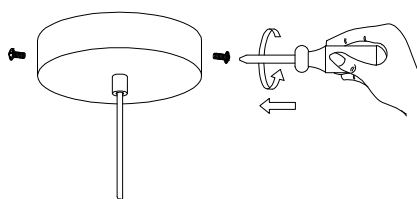
Apply plastic anchors
& tie up screws

3



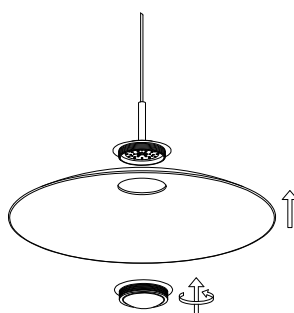
Put it in place
& connect wires

4



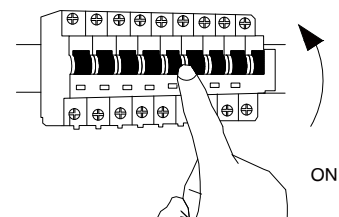
Apply side screws to make it stable

5



Apply the glass & teh cap
into place to make it stable

6



Turn on the general switch

