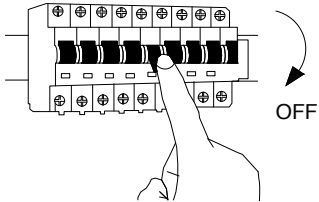


# NOVA LUCE

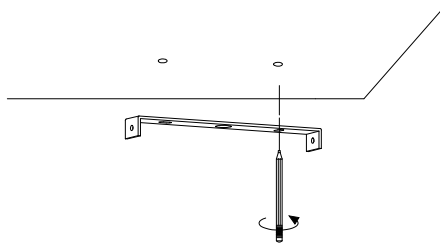
9130639

1



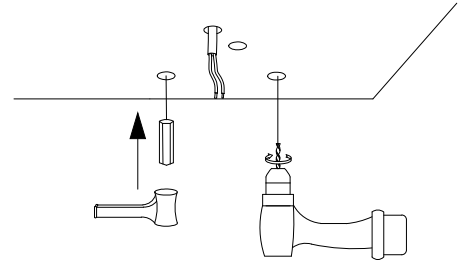
Turn off the general switch

2



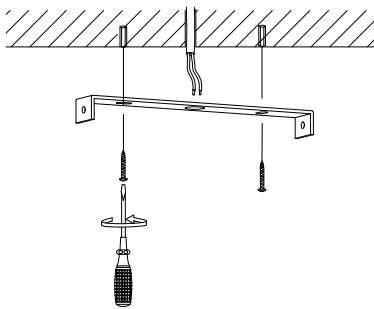
Mark where to drill holes

3



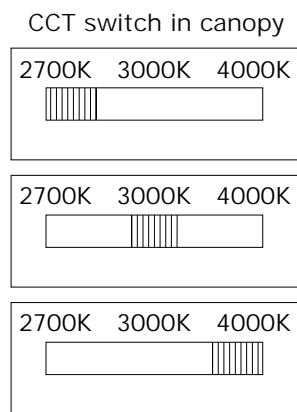
Make holes & apply anchors

4



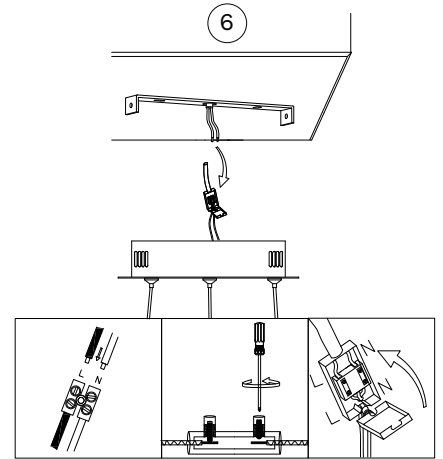
Tie up the screws  
to make it stable

5



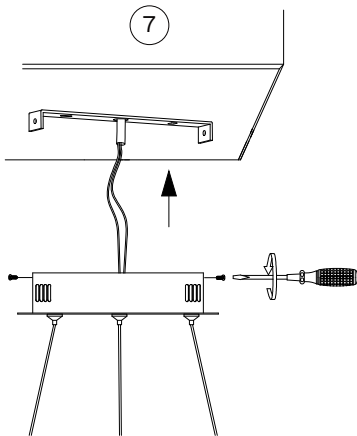
Choose the color temperature

6



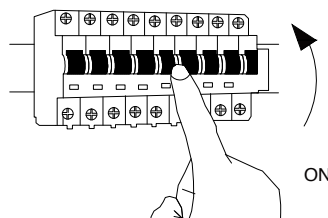
Connect the wires

7



Put it in place  
& Apply side screws

8



Turn on the general switch

9

