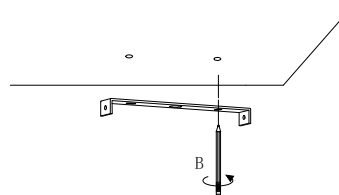
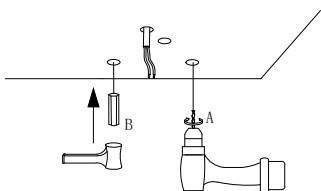


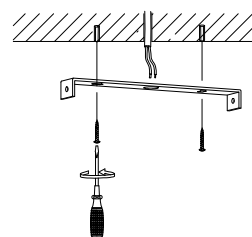
1 Turn off the general Switch



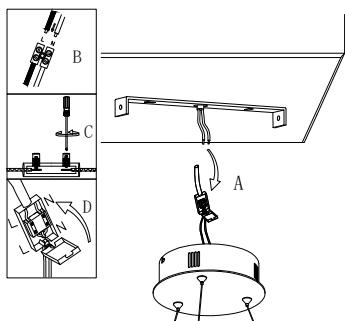
2 Align, where screws should be



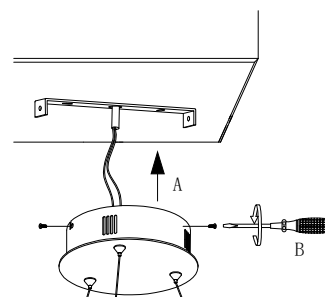
3 Apply plastic anchors



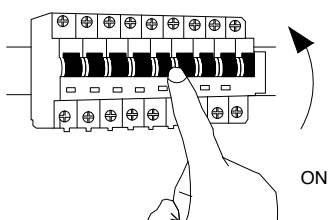
4 Apply screws to make it stable



5 Connect the wires



6 Apply the side screws



7 Turn on the general Switch

