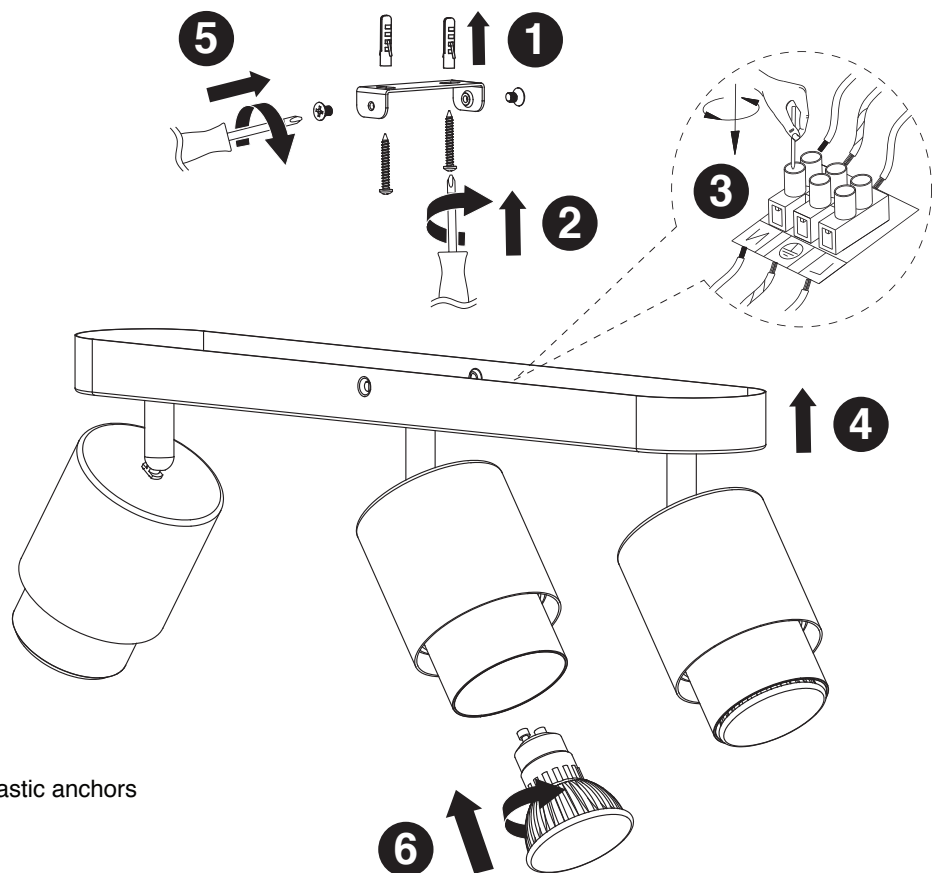
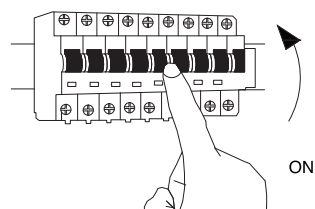


Turn off the general switch



1. Apply plastic anchors
2. Tie up screws into the plastic anchors to make base stable
3. Connect wires
4. Adjust the product on the base
5. Tie up side screws to make it stable
6. Apply the lights



Turn on the general switch