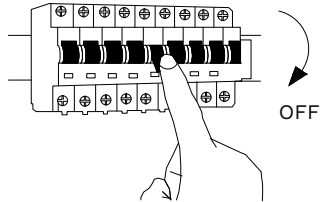


# NOVA LUCE

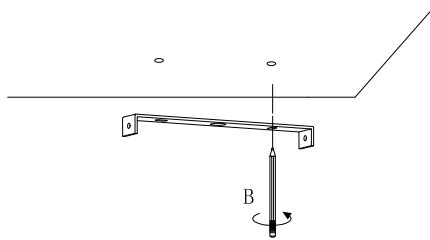
9748155

1



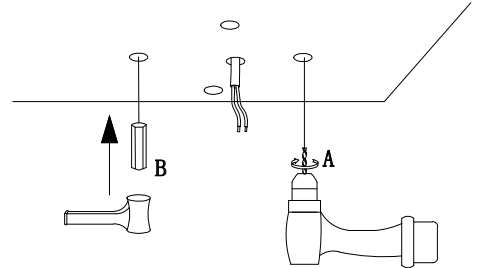
Turn off the general switch

2



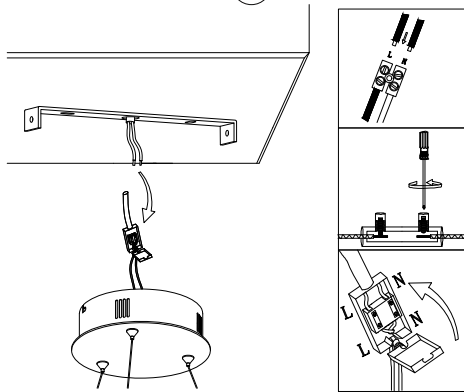
Mark where to drill holes

3



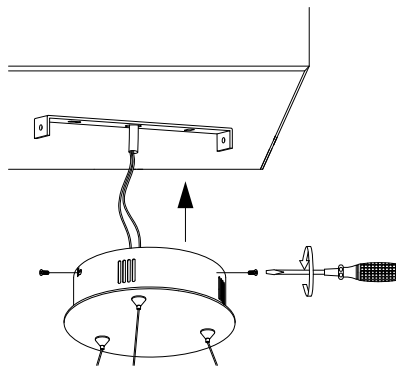
Make holes & apply anchors

4



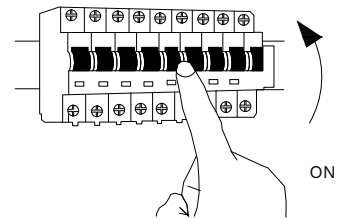
Connect the wires

5



Fix it on place by tying up side screws

6



Turn on the general switch

