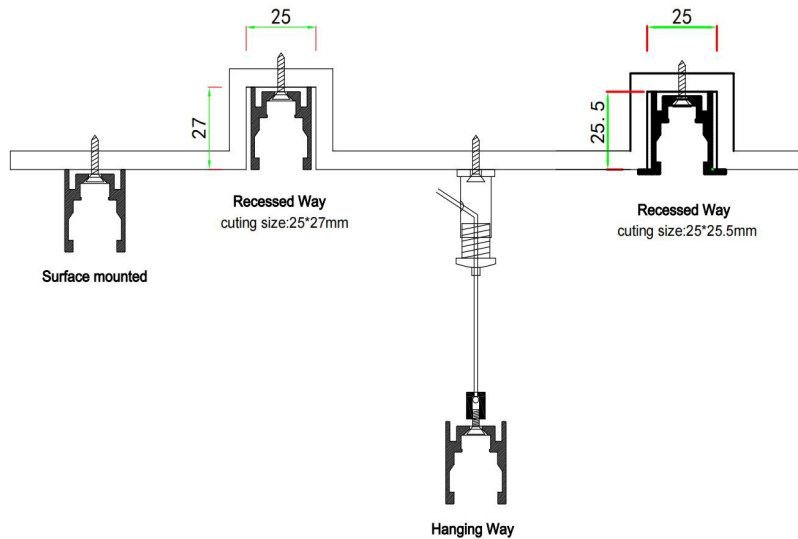


1. Install the track

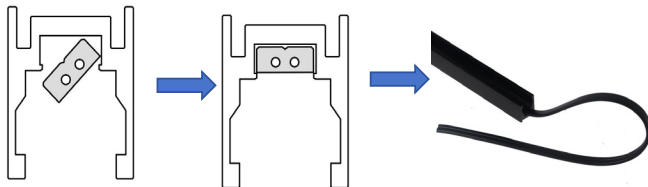
(different tracks have different installation methods as shown below, please choose the corresponding one)



2. Install the track wire

Please place the wire at an angle of 45°, along the track, place one side first, and press it forward, then it can be completely inserted into the groove. As shown below.

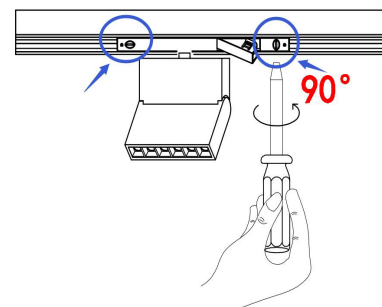
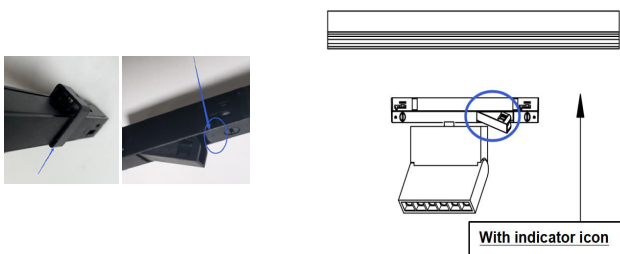
Noticed: The side of the wire with the words needs to be close to the inside of the track (after the construction is completed, the words are not visible in the entire track).



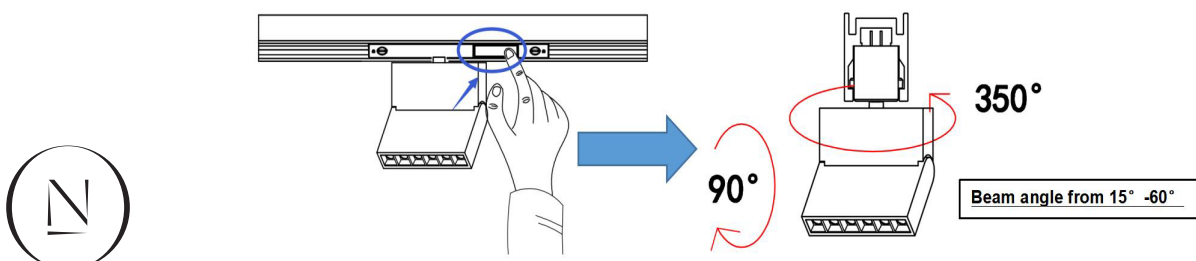
3. Installation of lamps

Please take out the protective cover first, and then unlock the "needle switch" of the lamp. According to the direction of the arrow on the lamp body, use a screwdriver to pry it open on the side to unlock it. Finally, embe the lamp in the track groove.

Noticed: The side of the wire with the words needs to be close to the inside of the track (after the construction is completed, the words are not visible in the entire track).

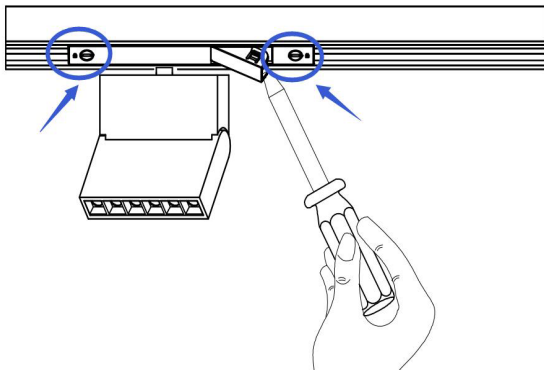


Press the button down, and the light can be energized if it is flat.



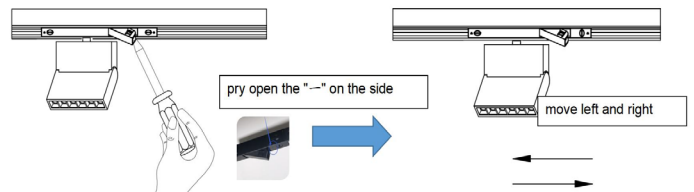
4. Disassembly the lamp

Use a screwdriver to unlock the ends of the lamp. (90° rotation)



Option 2)

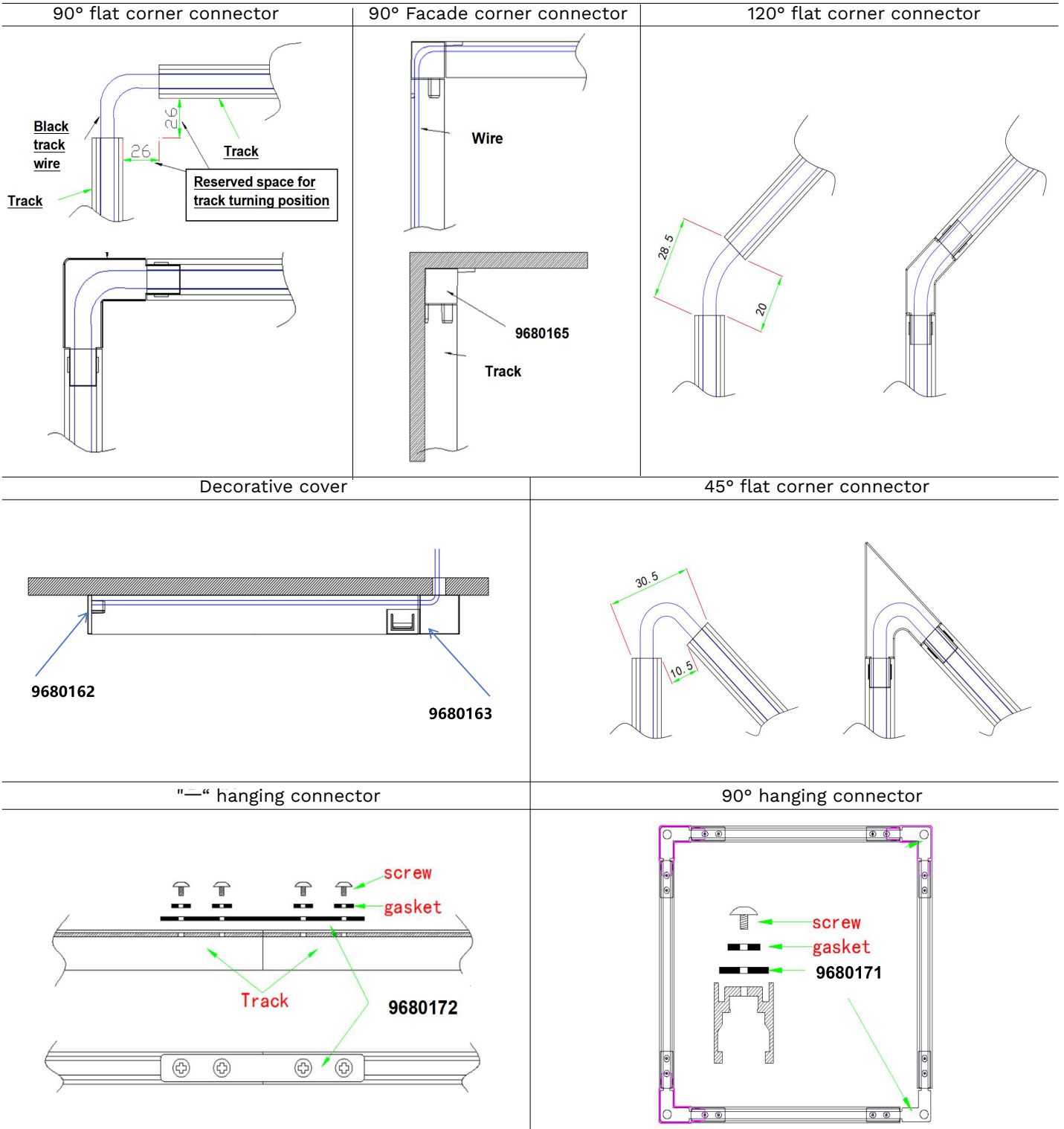
The position of 1. is the end without acupuncture, please take out the single and first
The position of 2. is the acupuncture end then take it out



5.Track accessories informations

NO	Name	Number	Picture	Description
1	Decorative cover	9680162		Used for installation of end caps at ends of track
2	Decorative cover	9680163		Used for installation of end caps at beginning of track
3	90° flat corner	9680164		Combined with square track
4	90° Facade corner	9680165		Combined with the track from ceiling to the wall
5	90° Facade corner	9680166		Combined with the track
6	120° flat corner	9680167		Combined with the track
7	90° connectors for hanging track	9680171		Combined with square hanging track
8	connectors for hanging track	9680172		Combined with the "—" hanging track
9	Hanging wire	9680163/ 9680174		Hanging Wire
10	Wire buckle	9680180		Place a wire buckle as a temporary fix.
11	screwdriver	9680181		Install or Disassembly of the lamp
12	Rod	9680182		Install the track wire

6.Track connector installation



Please Note:

- 1.This system is a low-voltage rail, DC24V, please do not directly connect to a high-voltage circuit. Please follow the operating instructions to use the conversion power supply/drive. If the wrong selection is made by humans, it may cause the lamp to burn out.
- 2.Please cut off the power before installation. Please ensure that the wires and ordinary high-voltage wires are in contact and bundled, and protected tightly. Our company only provides technical guidance for the construction site. If you have any questions, please feel free to contact the after-sales department.
- 3.The lamps are for indoor use, IP20. Do not use it in damp and watered places or outdoors, and do not use it in high temperature scenes or in hot sun.
- 4.Before installation/change the track,pls turn off power.
- 5.The total light fixture power need to lower 85% of driver power
- 6.The above is the general operating instructions for the standard models. If there is any incomplete explanation, please contact the lighting factory in time. If the lamp is damaged due to manual operation, it is not covered by the warranty.

